



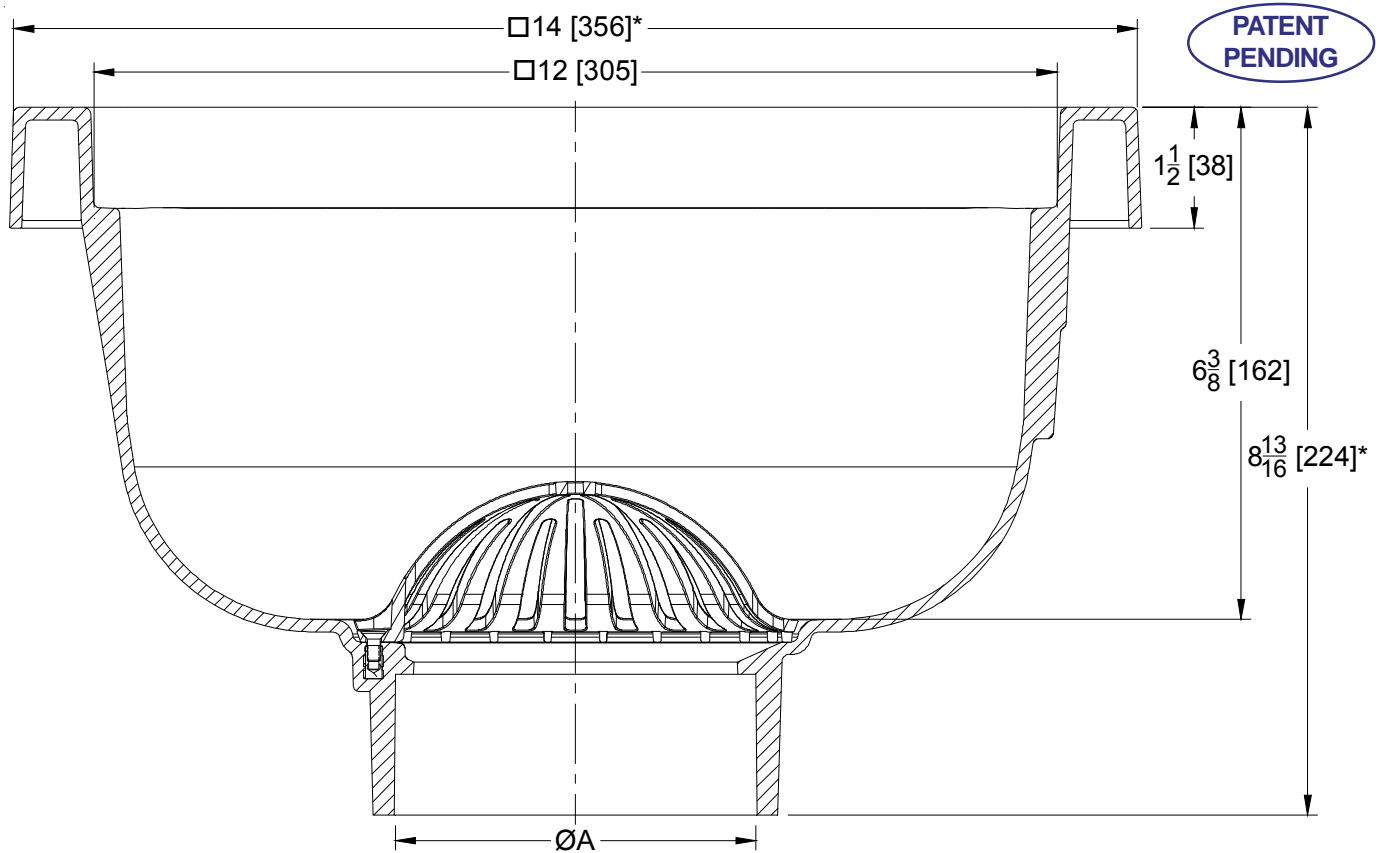
# FS12

12" [305] SQUARE SANITARY PVC FLOOR SINK  
WITH 6-3/8 [162] SUMP DEPTH

SPECIFICATION SHEET

TAG \_\_\_\_\_

Dimensional Data (inches and [ mm ]) are Subject to Manufacturing Tolerances and Change Without Notice



### ENGINEERING SPECIFICATION: ZURN FS12

Sanitary PVC floor sink with 14" [305 mm] square top x 6-3/8 [162 mm] deep sump with smooth internal surface, and Sani-Loc dome strainer, designed in accordance to ASME A112.6.7 & CSA B45.5/IAPMO Z124 standards. All full grates are rated medium-duty unless otherwise noted.

Product	'A' Connection
___ FS12-6-PV2	2 [51] PVC Solvent Weld
___ FS12-6-PV3	3 [76] PVC Solvent Weld
___ FS12-6-PV4	4 [102] PVC Solvent Weld

\* Add 17/32 [13] to square top and 9/16 [14] to overall height.

### SUFFIXES

- \_\_\_ -F Full Grate
- \_\_\_ -H Half Grate
- \_\_\_ -NF Full Nickel Bronze Grate\* (light-duty)
- \_\_\_ -NH Half Nickel Bronze Grate\*
- \_\_\_ -SF Stainless Steel Full Grate\*
- \_\_\_ -SH Stainless Steel Half Grate\*
- \_\_\_ -TSP ZShield Z1072
- \_\_\_ -Y Plastic Sediment Bucket
- \_\_\_ -YS Stainless Steel Mesh Bucket

⚠ **WARNING:** Cancer and Reproductive Harm [www.P65Warnings.ca.gov](http://www.P65Warnings.ca.gov)

⚠ **ADVERTENCIA:** Cáncer y daño reproductivo [www.P65Warnings.ca.gov](http://www.P65Warnings.ca.gov)

⚠ **AVERTISSEMENT:** Cancer et effets néfastes sur la reproduction [www.P65Warnings.ca.gov](http://www.P65Warnings.ca.gov)

Zurn Industries, LLC | Specification Drainage Operation  
1801 Pittsburgh Avenue, Erie, PA 16502, Ph. 855.663.9876  
In Canada | Zurn Industries Limited  
7900 Goreway Drive, Unit 10, Brampton, Ontario L6T 5W6, Ph. 877.892.5216

[www.zurn.com](http://www.zurn.com)

Rev. A  
Date: 11/13/2019  
C.N. No. 142176  
Prod. | Dwg. No. FS12